

FMLE SERIES Residential Lighting

FMLE-R7-MCT5-E26

WESTGATE
THE FUTURE IS HERE...AND IT'S QUITE BRIGHT!

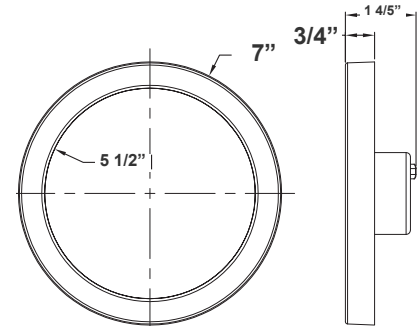


Customer Name: _____

Project Name: _____

Note: _____ | Type: _____

Flush Mount lighting can use in most rooms of the house, especially those where you want ambient, general light. It's especially useful for hallways, kitchens, family rooms, bathrooms, closets, and bedrooms. Also Ideal for closets, storage areas, attics, corridors, or general lighting solutions for residential and commercial applications.



7" x 1 4/5"

Features

- Unique DOB (Driver On Board) LED Board Enclosed in Clear PC Cover for Better Performance
- Multi CCT (Selectable Switch on LED Board Under the Lens)
- Die-cast Aluminum. Powder-Coated
- 5-Year Warranty
- 1" Deep

Technical Specifications

Electrical:

- Voltage: 120V AC
- Power Factor: >0.90
- Wattage: 14W
- Efficacy: 78 LPW

Mechanical:

- Composite Polycarbonate, White Finish
- Recessed Mounting Kit Included
- E26 Medium-Base Socket Converter Included
- Maximum Ambient Temperature: -4°F to 113°F
- Suitable for Damp Locations
- 5-Year Warranty

Lighting:

- Multi CCT (Selectable Switch on Driver)
- LED: Edge Lit LED Technology
- Dimming: TRIAC Dimming (Using Standard TRIAC LED Dimmers)
- Total Lumens: 1100LM
- Color Temperatures: 2700/3000/3500/4000/5000K
- Color Rendering Index: CRI ≥ 90
- Beam angle: 120°
- Rated life: 50,000 hrs

Applications:

- Flush Mount lighting can use in most rooms of the house, especially those where you want ambient, general light. It's especially useful for hallways, kitchens, family rooms, bathrooms, closets, and bedrooms. Also Ideal for closets, storage areas, attics, corridors, or general lighting solutions for residential and commercial applications

Other Models:

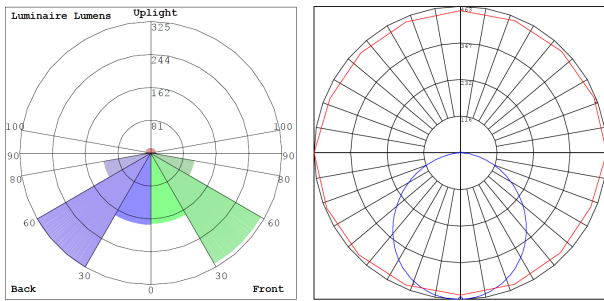
• 9W | 650LM | FMLE-R5-MCT5-E26 • 17W | 1300LM | FMLE-R9-MCT5-E26 • 21W | 1500LM | FMLE-R12-MCT5-E26



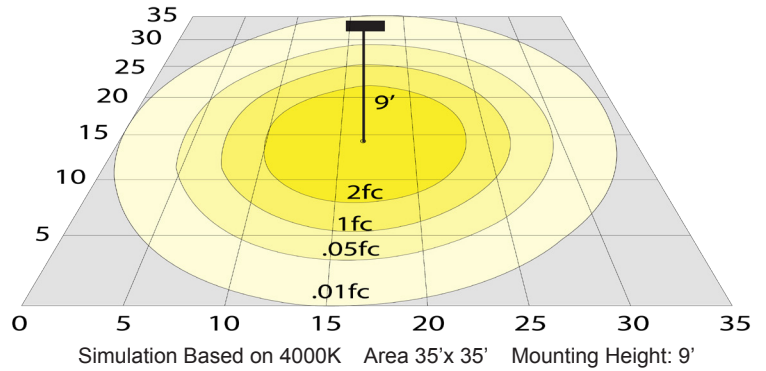
Phone: (877) 805-2252 | Fax: (877) 805-2252
www.westgatemfg.com



Photometrics: FMLE-R7-MCT5-E26



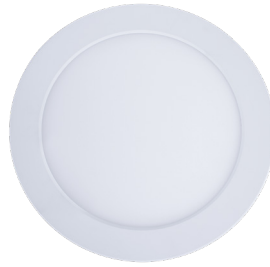
BUG Rating: B1-U2-G1



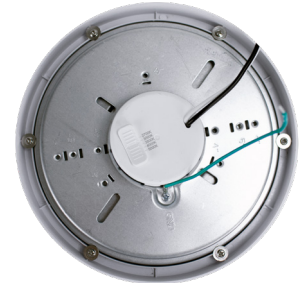
Other Views:



Side View



Front View



Back View

Performance Table: FMLE-R7-MCT5-E26

MODEL NO.	Wattage	Voltage	Lumens	Color Temp.	BUG Rating	LPW
FMLE-R7-MCT5-E26	14W	120V	1100LM	2700K 3000K 3500K 4000K 5000K	B1-U2-G1	78

Sample Ordering

Model	Size	Color Temp.	Base
FML	R7	MCT5	E26

Example:

1. FMLE-R7-MCT5-E26 (FOR FMLE R7 MCT5 FIXTURE 120-277V)

